

Outdoor Fiber Distribution Terminal OFDT



TE Connectivity's (TE) FTTX infrastructure solutions are designed from ground up to meet the unique requirements of China FTTX networks. Designed for operational efficiency and scalability, TE's FTTX solutions simplify network installation, maintenance and management by providing an ideal connection point for distribution & drop cables

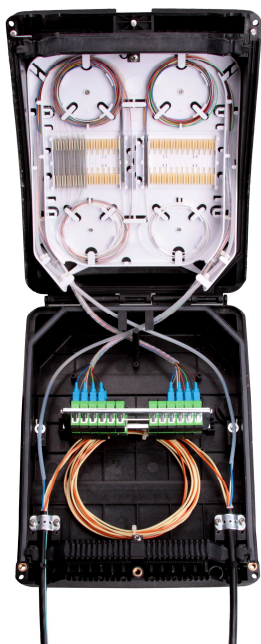
TE's OFDT24, with compact design and effective cable routine, greatly simplifies the customer's installation and maintenance time. Its flexible configuration supports standard 900um pigtail type splitter, Chinese splitter card type and general fiber distribution function. Supporting both 24 each Figure 8 type drop cables and 3mm drop cable, TE's OFDT also offers cable pass through storage space and a Max.48F splicing capacity.

By using TE's patented gel sealing technology, TE's OFDT box provides IP55 sealing performance. Easy re-enterable without need change sealing material.

This UV resistant non-metallic wall mounted solution can be installed in aerial, wall mount and poles mount.

Features:

- Anti-UV , IP55 outdoor performance
- Support maximum 24 standard SC adapters
- Maximum 48F splice tray capacity
- Support up to 2 main feeder cable (two 9-12mm cable entry)
- Support a (1X16) or two (1X8) 900um pigtail type splitter or Chinese splitter card
- 24 drop cable ports exits support both Figure 8 cable and 3mm cable
- TE patented gel sealing technology, fully re-enterable and re-useable
- Storage space for 1.5m pass through cable
- outdoor wall-mounted or pole installation
- Optional for grounding accessories
- Operating Temperature: -40°C to +65°C



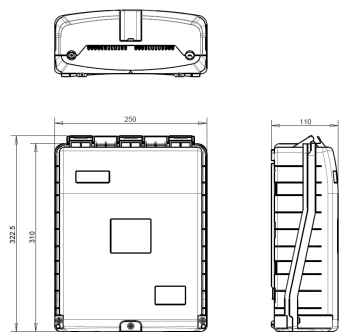
Support china splitter card type



Support 900um pigtail type splitter

Outdoor Fiber Distribution Terminal

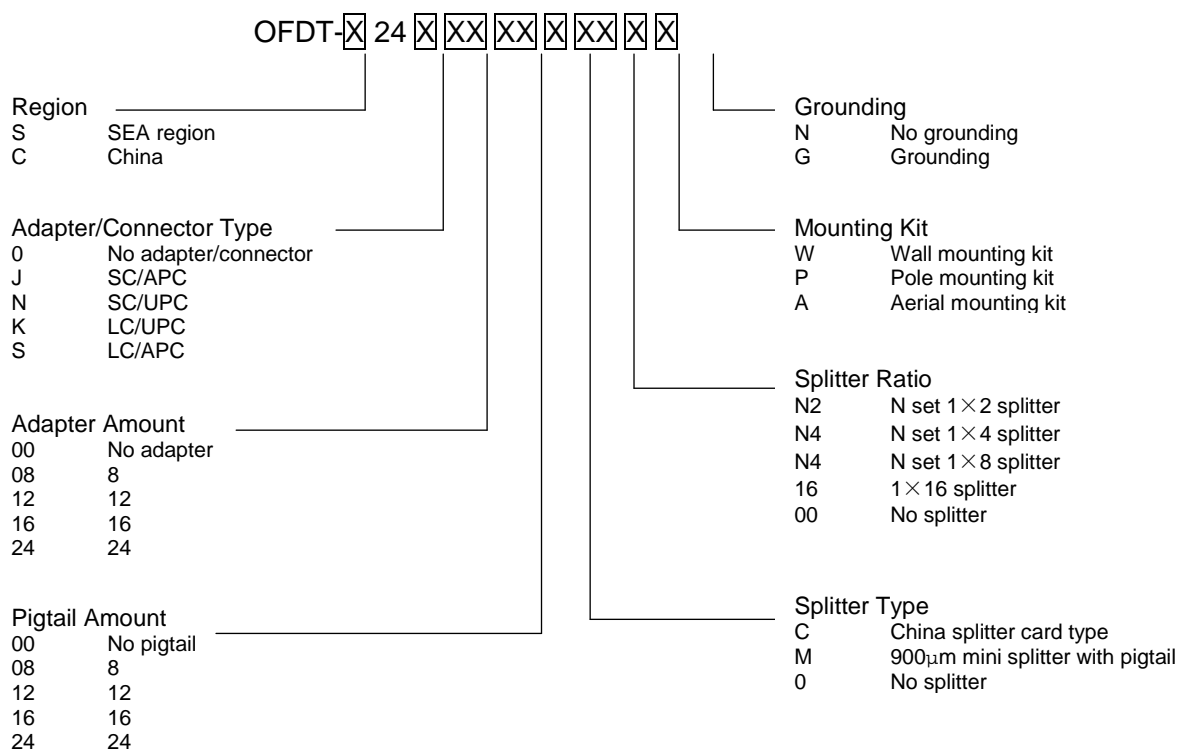
OFDT



Dimension
L×W×H

310×250×110mm

Ordering Information: Catalog Number



- Please consult TE local sales or technical support for customized configuration.
- Only standard wall mounting kits are included. Other types of installation kits need order separately

DATA SHEET

Contact us:

Tyco Electronics (Shanghai) Co., Ltd
No 287 Qinjiang Road
Shanghai China 200233
Fax: 86 21-6485 2522
Product Information Center
Tel: 86 400 820 6015

www.te.com
www.te.com/chooser/telecom



TE Connectivity, TE connectivity (logo), Tyco Electronics, and TE (logo) are trademarks of the TE Connectivity Ltd. family of companies and its licensors.

While TE Connectivity has made every reasonable effort to ensure the accuracy of the information in this document, TE Connectivity does not guarantee that it is error-free, nor does TE Connectivity make any other representation, warranty or guarantee that the information is accurate, correct, reliable or current. TE Connectivity reserves the right to make any adjustments to the information contained herein at any time without notice. TE Connectivity expressly disclaims all implied warranties regarding the information contained herein, including, but not limited to, any implied warranties of merchantability or fitness for a particular purpose. The dimensions in this document are for reference purposes only and are subject to change without notice. Specifications are subject to change without notice. Consult TE Connectivity for the latest dimensions and design specifications.

Tyco Electronics Corporation, a TE Connectivity Ltd. Company. All Rights Reserved.
TC-2152/DS/1-11/12 12/10 Original © 2011