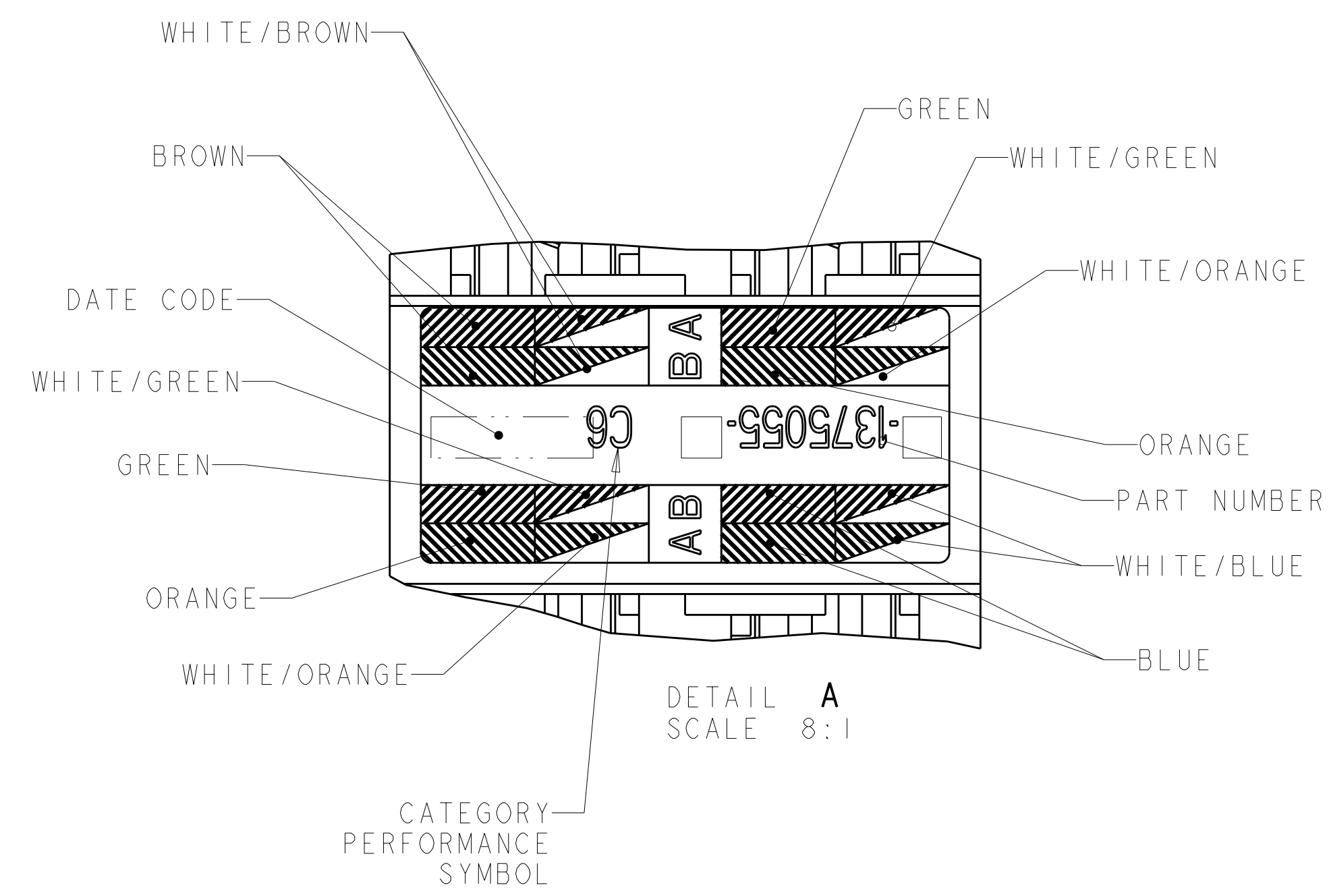
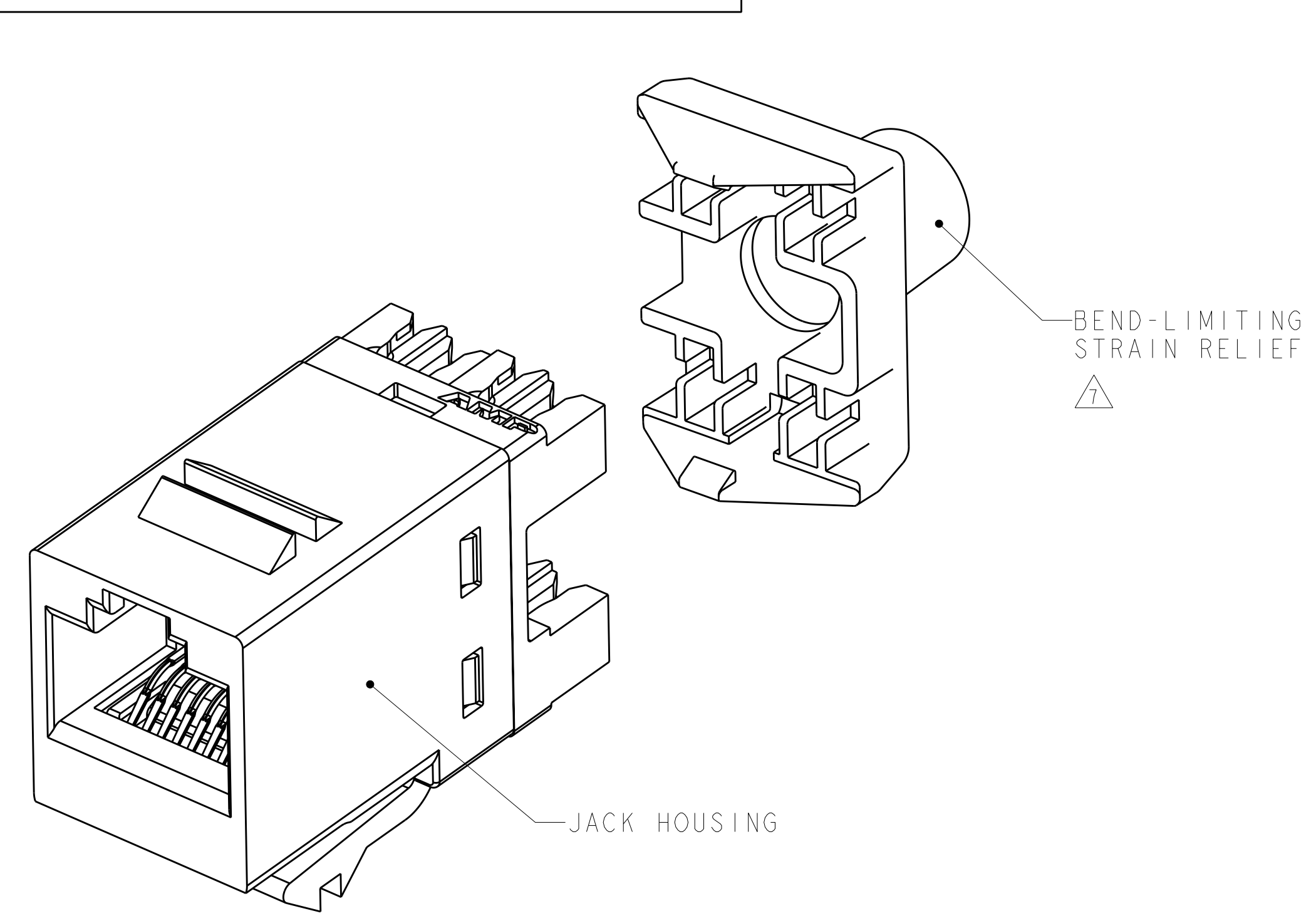
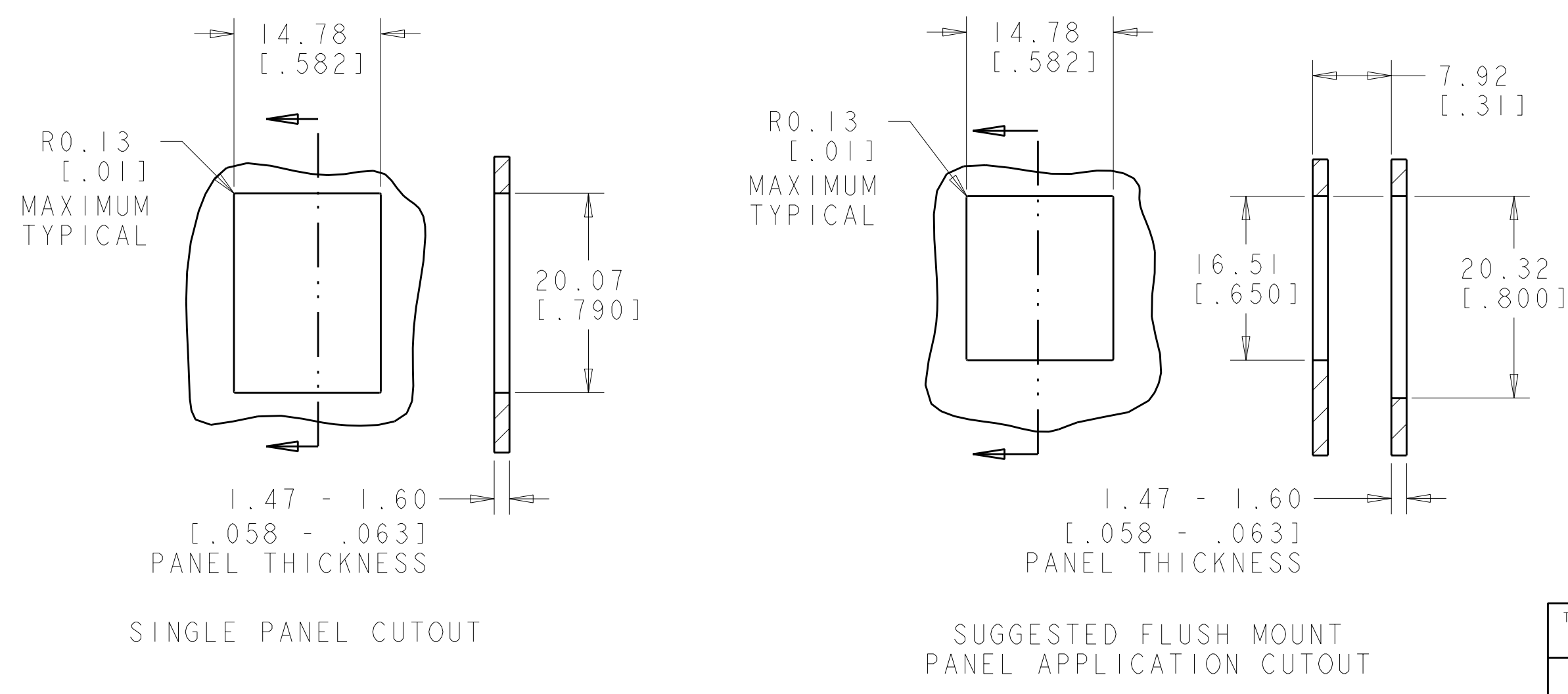
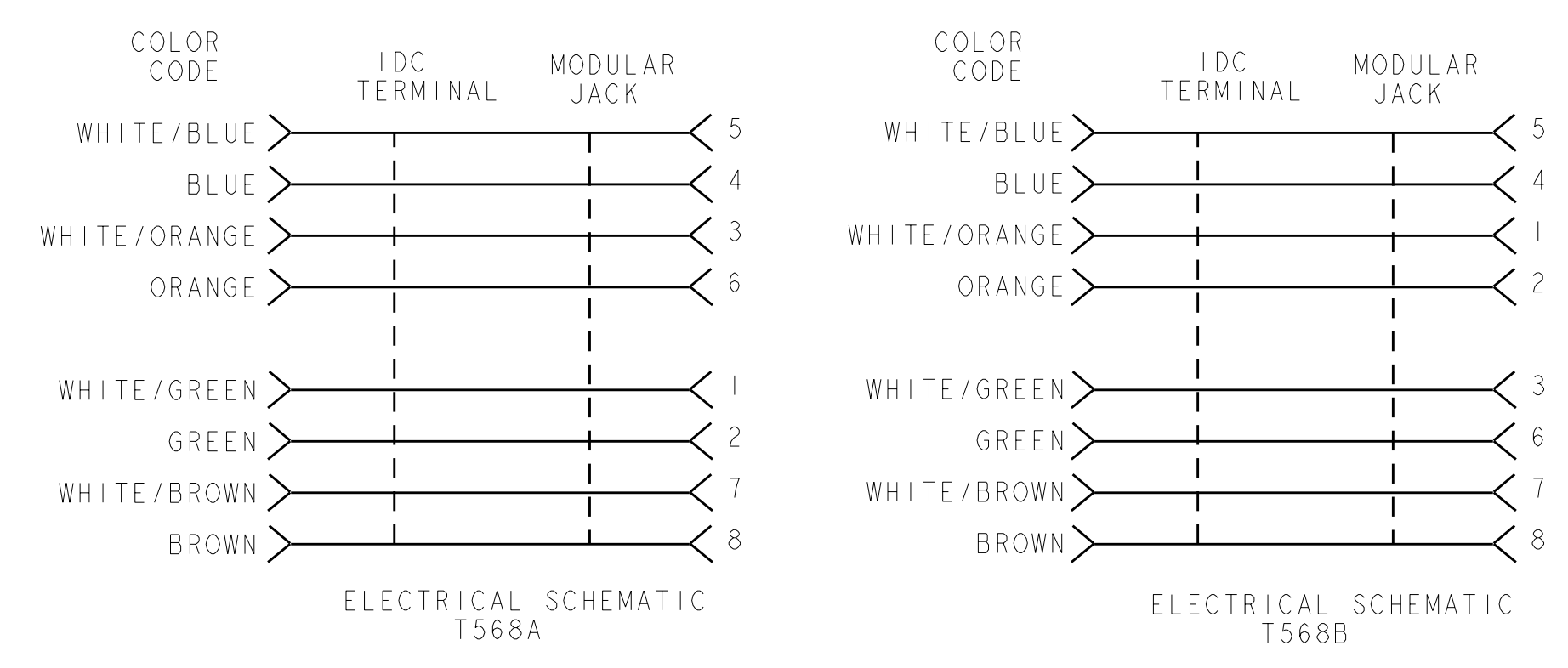
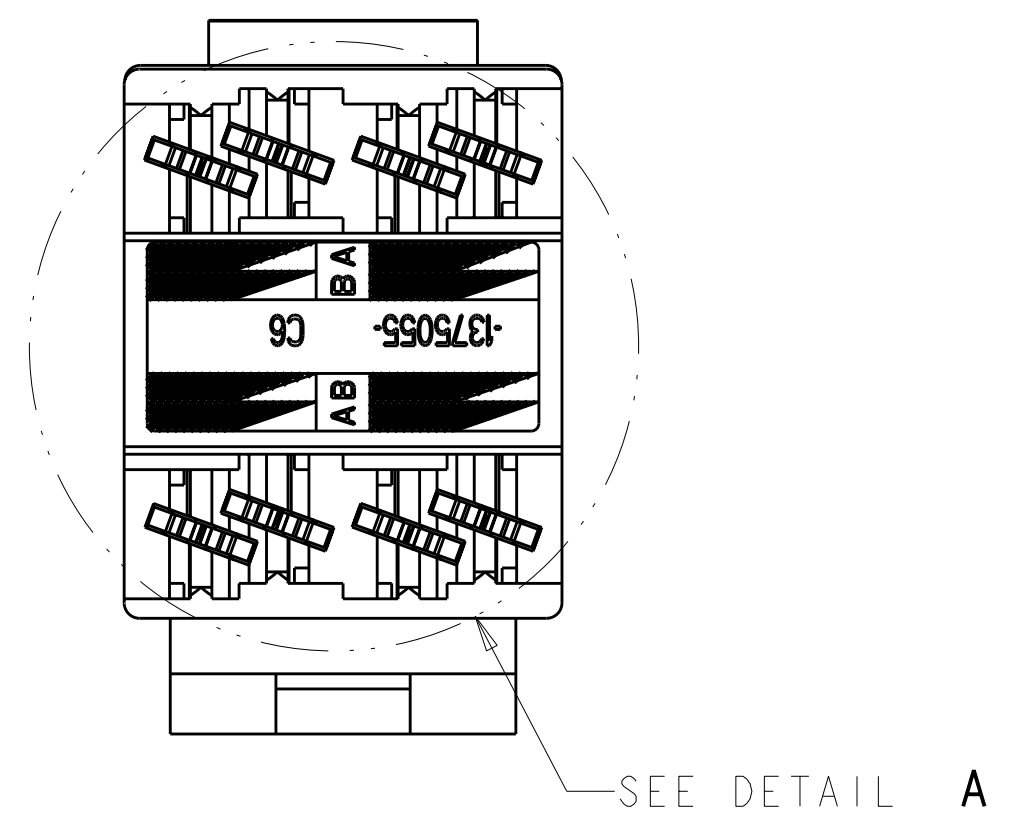
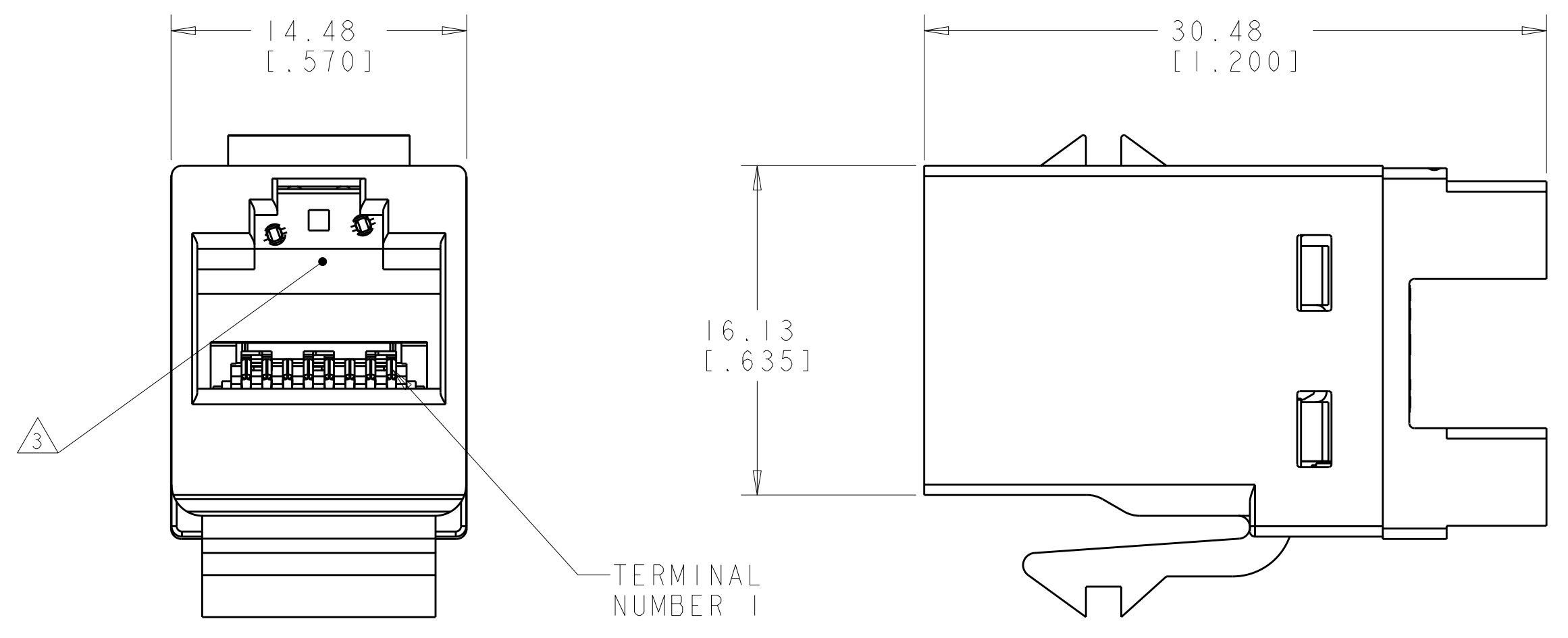


LOC	DIST	REV	DATE	BY	CHKD	APVD
HM	00	M1	09MAY2011	RK	HMR	
		N	27OCT2011	GG	SA	



- 1. MATERIAL: JACK HOUSING - POLYCARBONATE, 94V-0 RATED. 110 BLOCK AND BEND LIMITING STRAIN RELIEF - POLYCARBONATE. ARRAY TRAY - PBT POLYESTER. JACK CONTACTS ARRAY - BERYLLIUM COPPER, PLATED WITH 1.27µm [.000050] MINIMUM THICK GOLD IN LOCALIZED AREA AND 3.81µm [.000150] MINIMUM THICK MATTE TIN IN BOARD INTERFACE AREA OVER 1.27µm [.000050] MINIMUM THICK NICKEL UNDERPLATE. IDC TERMINALS - PHOSPHOROUS BRONZE, PLATED WITH 3.81µm [.00015] MINIMUM THICK MATTE TIN OVER 1.27µm [.00005] MINIMUM THICK NICKEL UNDERPLATE.
- 2. SL 110 JACK WILL TERMINATE 22-24 AWG SOLID AND 24-26 AWG STRANDED CONDUCTORS, 1.27[.050] MAXIMUM INSULATION DIAMETER. JACK WILL ACCEPT CONDUCTORS UP TO 1.45 [.057] BUT REQUIRE THE USE OF A STRAIN RELIEF.
- 3. CAVITY CONFORMS TO FCC RULES AND REGULATIONS) PART 68 SUBPART F REQUIREMENTS.
- 4. MOUNTING PANEL THICKNESS 1.47 - 1.60 [.058 - .063].
- 5. THESE TWO SUGGESTED CUTOUT OPENINGS ARE USED IN TANDEM WITH DUAL FRONT AND BACK CUTOUTS.
- 6. ONE MODULAR JACK ASSEMBLY PER POLYBAG.
- 7. USE IS OPTIONAL.
- 8. TWENTY FIVE MODULAR JACKS PER POLYBAG.
- 9. REFER TO 408-8858 FOR TERMINATION INSTRUCTIONS USING SL SERIES TOOL TERMINATION. REFER TO 408-8417 FOR TERMINATION INSTRUCTIONS USING 110 PUNCH DOWN TOOL.



HOUSING COLOR	PART NUMBER
ALPINE WHITE	3-1375055-3
ELECTRIC IVORY	3-1375055-1
VIOLET	3-1375055-0
GREEN	2-1375055-9
YELLOW	2-1375055-8
RED	2-1375055-7
BLUE	2-1375055-6
ORANGE	2-1375055-5
NEMA GRAY	2-1375055-4
WHITE	2-1375055-3
BLACK	2-1375055-2
LIGHT ALMOND	2-1375055-1
ALPINE WHITE	1-1375055-3
ELECTRIC IVORY	1-1375055-1
VIOLET	1-1375055-0
GREEN	1375055-9
YELLOW	1375055-8
RED	1375055-7
BLUE	1375055-6
ORANGE	1375055-5
NEMA GRAY	1375055-4
WHITE	1375055-3
BLACK	1375055-2
LIGHT ALMOND	1375055-1

THIS DRAWING IS A CONTROLLED DOCUMENT.

DATE: 18OCT2001
 DWN: T. PITTS
 CHK: L. SMITH
 APVD: B. TRIPP

PRODUCT SPEC: 108-1990-3
 APPLICATION SPEC: 108-1990-3

NAME: ASSEMBLY, SL 110 JACK, CAT 6

SIZE: A1
 CAGE CODE: 100779
 DRAWING NO: C=1375055

SCALE: 6:1
 SHEET: 1 OF 1
 REV: N